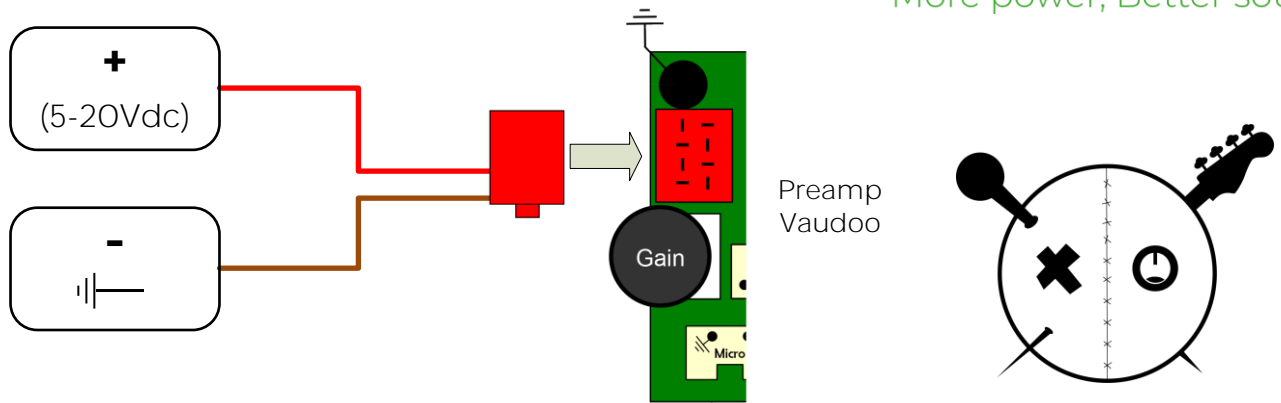


VAUDOO AUDIO PREAMPS POWER SUPPLY WIRING

VAUDOO Audio

More power, Better sound.

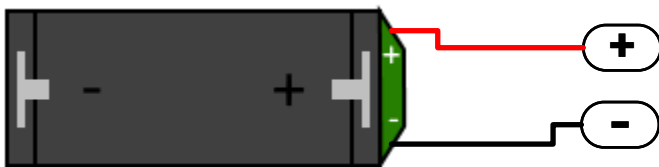


Classic wiring example: Power Block Plug'N'Play, OEM, 1 or 2 batteries, battery box...

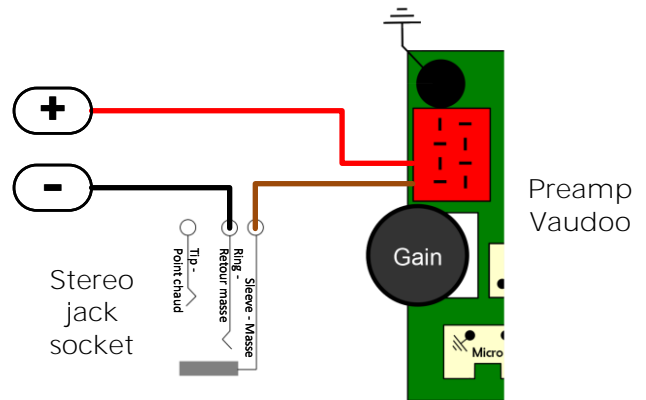
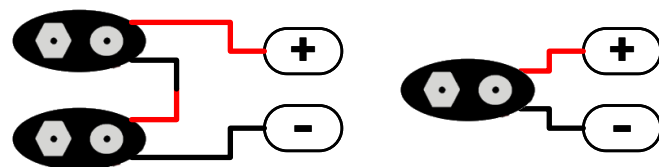
Power block plug'N'play :



Power block OEM :



9V battery or battery box



Warning, to prevent any risk of short circuit and electronic breakout through installation, we advise to wiring without power supply.

OEM, batteries, battery box : do the wiring without battery, then connect the battery when wiring is finished.

Plug'N'Play : finish wiring with red (+) and black (-) wires connexion on the Power Block.

Power Block Pro Wiring example:

Power block Pro :

