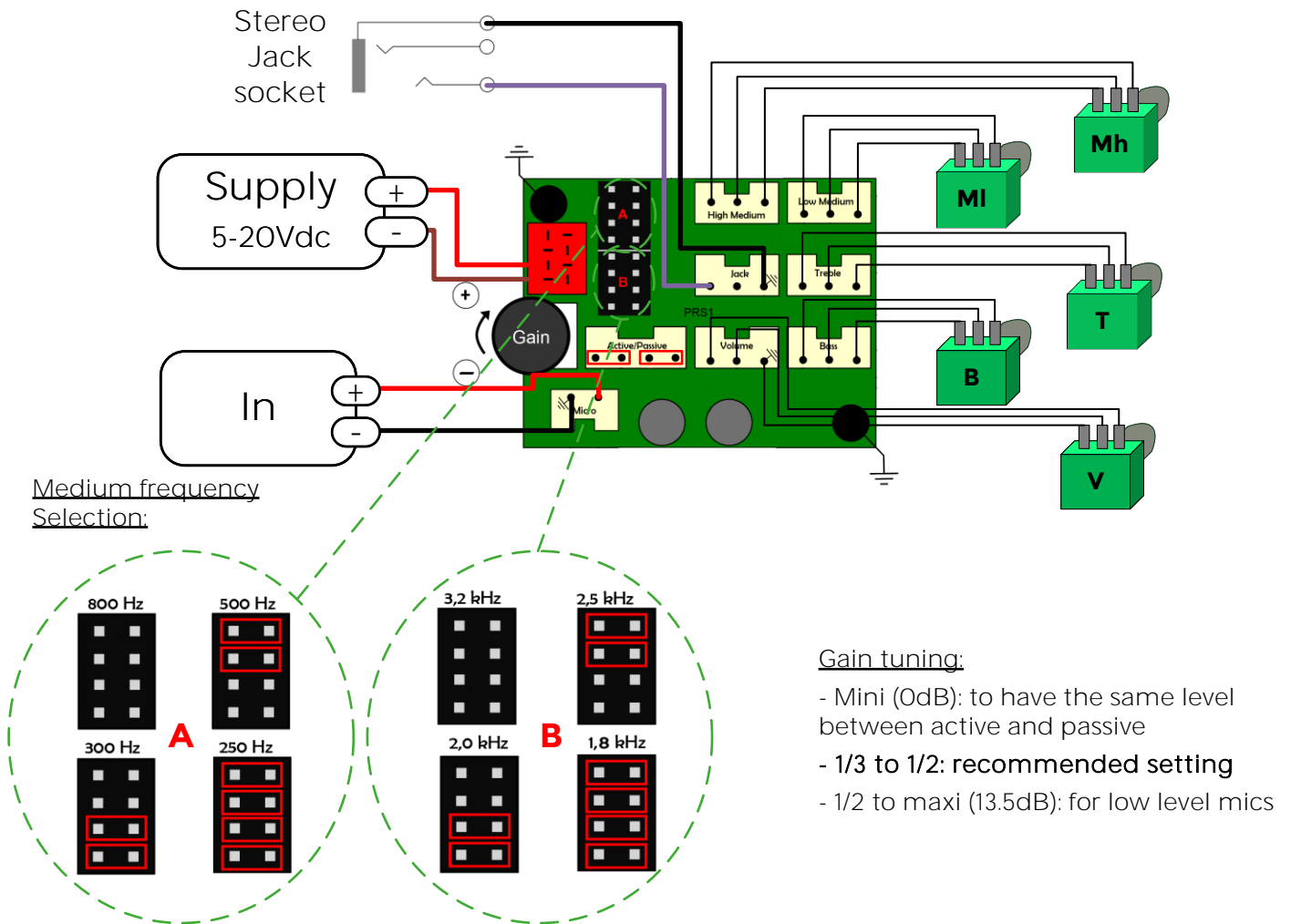


4 BANDS PREAMP WIRING

Standard wiring: always active



Active-passive wiring example

