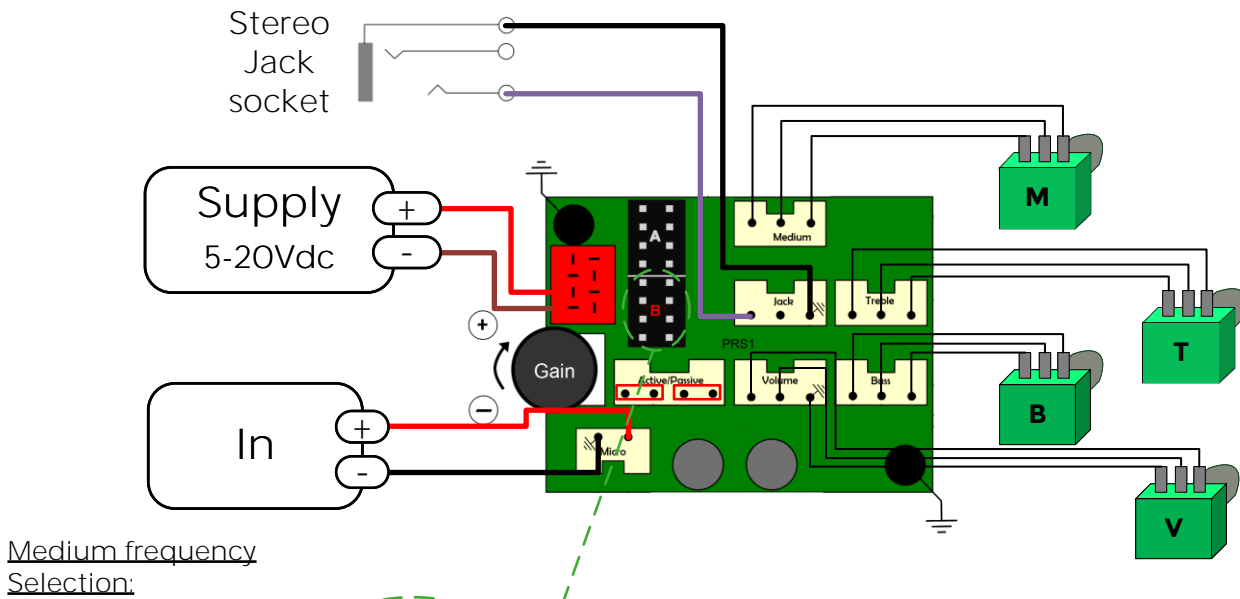
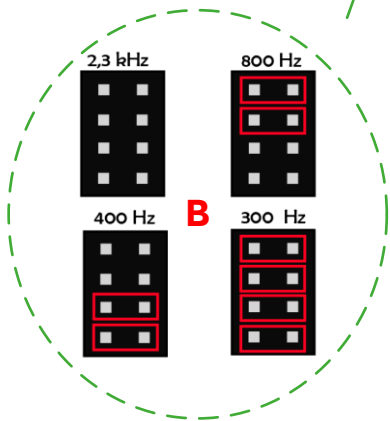


# 3 BANDS PREAMP WIRING

## Standard wiring: always active



Medium frequency Selection:



### Gain tuning:

- Mini (0dB): to have the same level between active and passive
- 1/3 to 1/2: recommended setting
- 1/2 to maxi (13.5dB): for low level mics

## Active-passive wiring example

