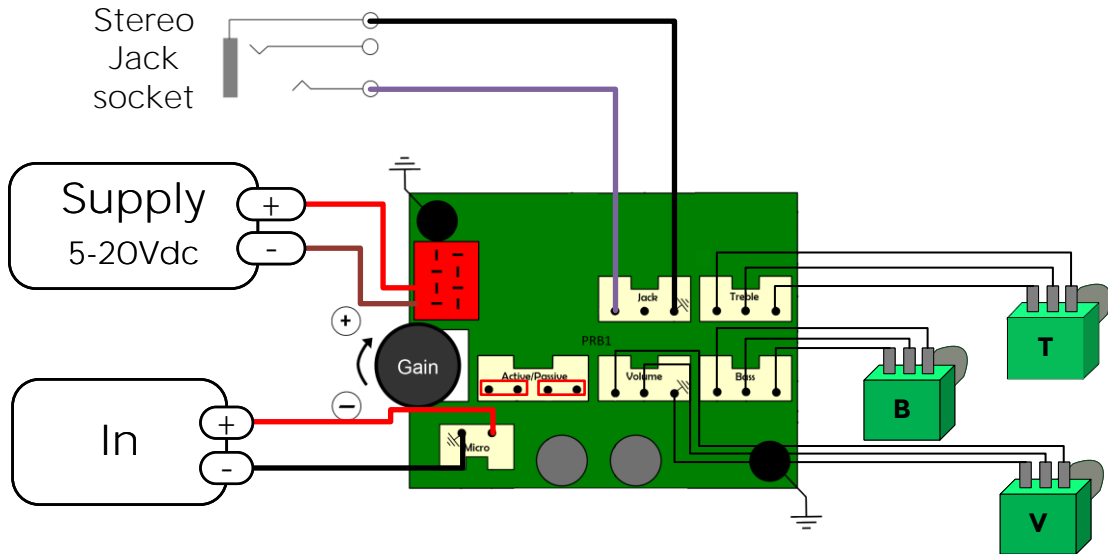


2 BANDS PREAMP WIRING

Standard wiring: always active



Gain tuning:

- Mini (0dB): to have the same level between active and passive
- 1/3 to 1/2: recommended setting
- 1/2 to maxi (13.5dB): for low level mics

Active-passive wiring example

