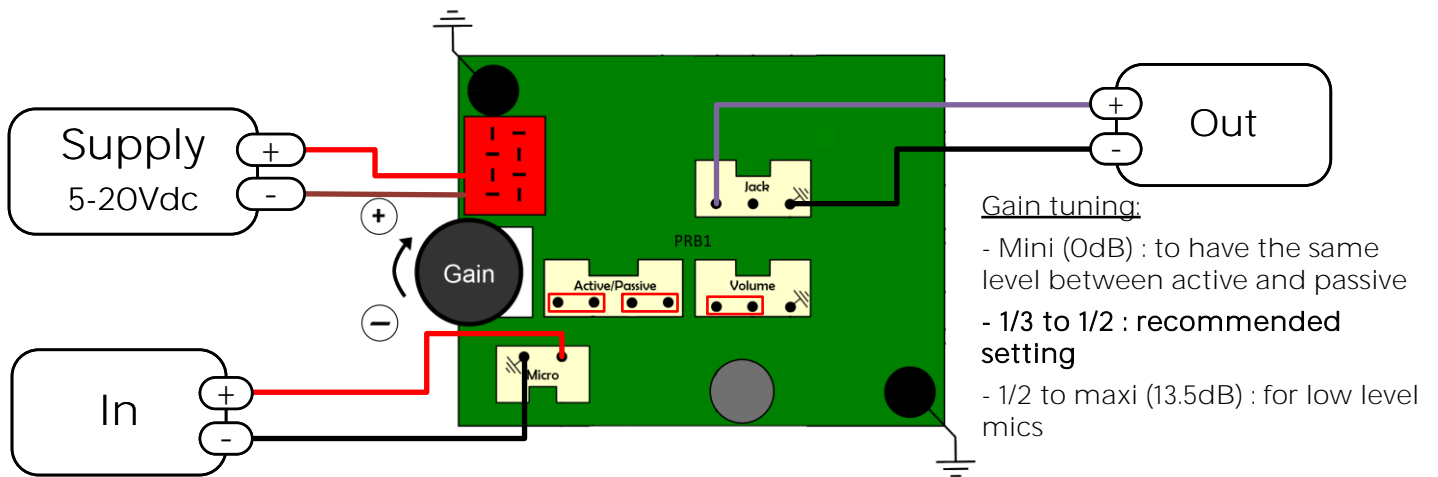
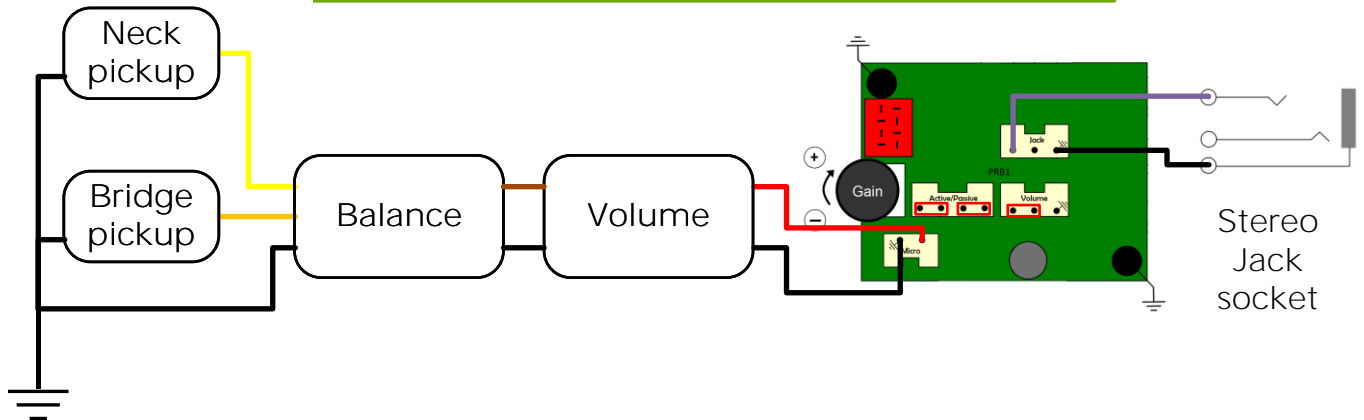


# BOOST PREAMP WIRING

More power, Better sound.



## Input-Output wiring example: 2 pickups bass, always active



## Input-Output wiring example: Guitar with active-passive switch

